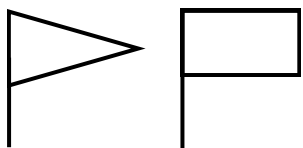
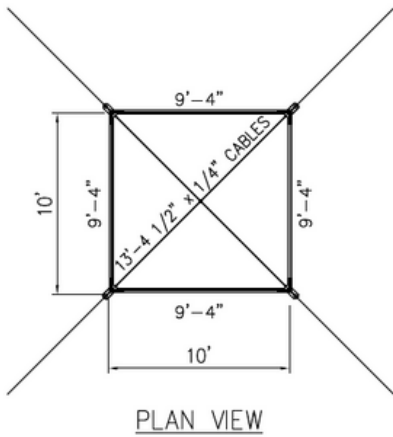
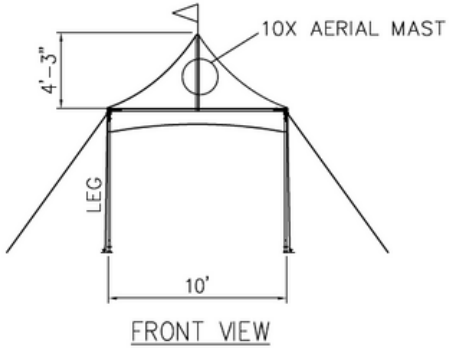




# VENDOR TENT SCHEMATICS

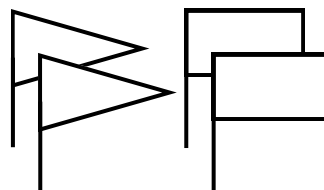
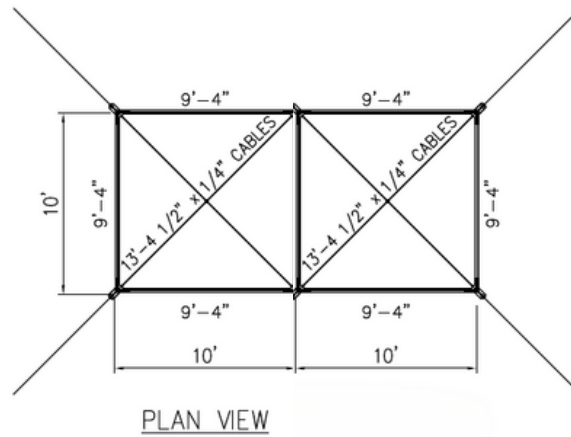
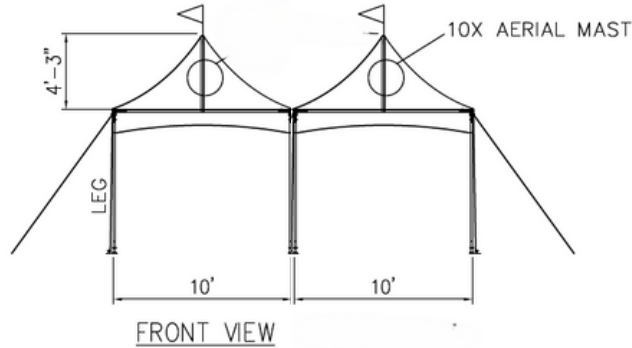


## 10' x 10'



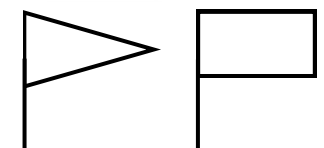
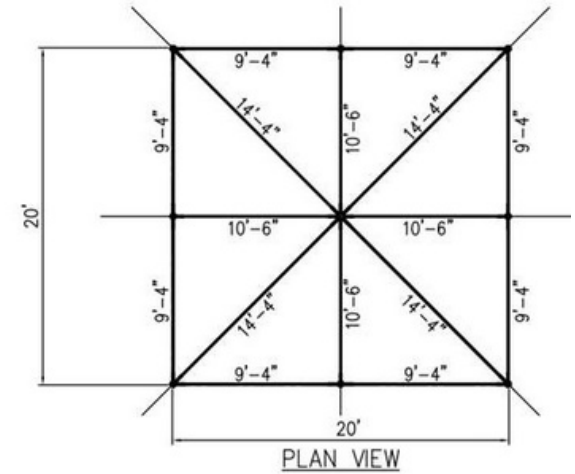
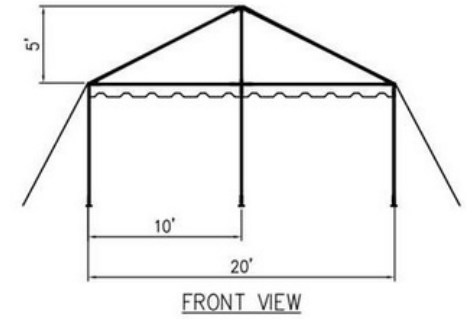
**1 Flag**  
**18in-24in Height**

## 10' x 20'



**2 Flags**  
**18in-24in Height**

## 20' x 20'



**1 Flag**  
**3ft x 5ft**